

Richtlinie zum Aufbau einer

APERAK im BIP-SYSTEM

Auf Basis

APERAK

Application error and acknowledgement message

UN D.01B S3

Version:	D01B
Variant:	BIP_1.2_de
Herausgabedatum:	31.03.2011
Autor:	ipa, bka, avo

Inhalt

Zeitlicher Ablauf beim Empfang von APERAK	3
Struktur einer APERAK	5
Segmente einer APERAK	9
Fehlercodes einer APERAK	26

Zeitlicher Ablauf beim Empfang von APERAK

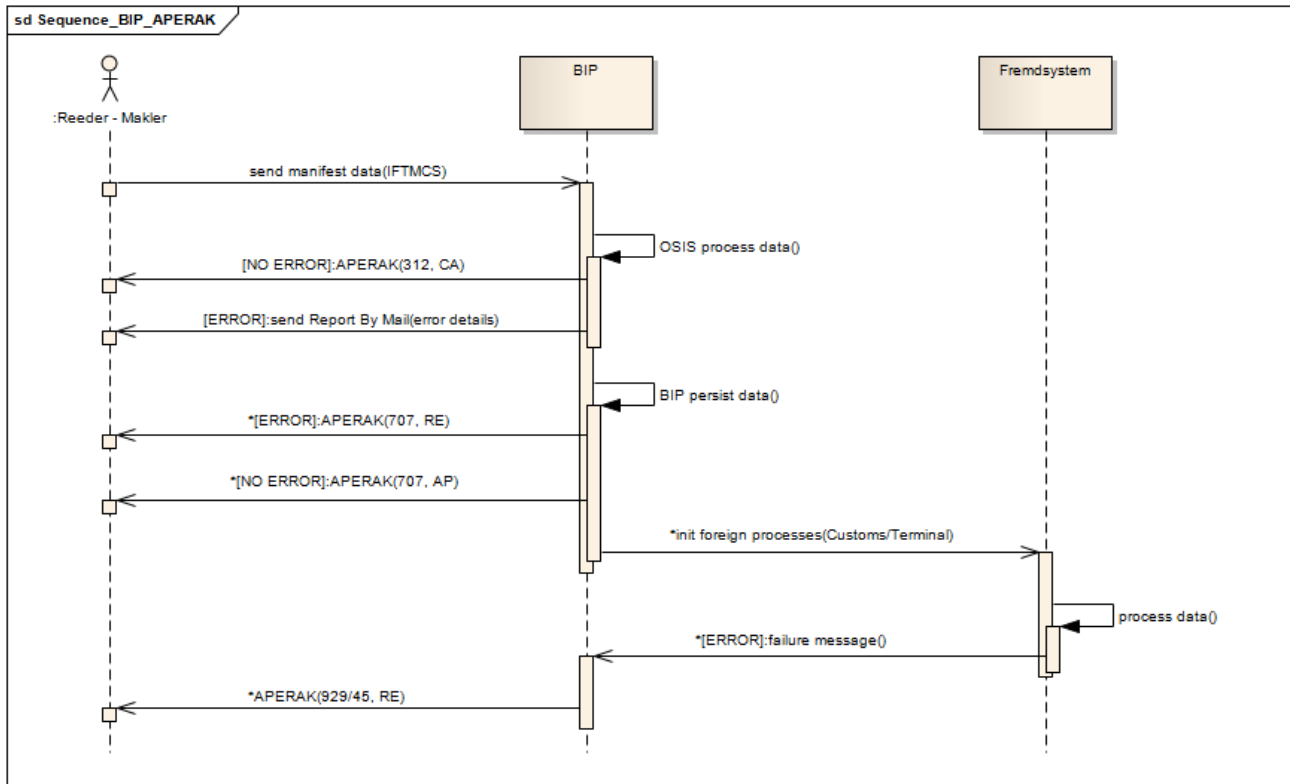


Abbildung 1: Sequenzdiagramm für APERAK in BIP

Nach dem Senden Ihrer Manifest-Daten in elektronischer Form (IFTMCS) an das BIP-System werden Sie mehrfach eine APERAK erhalten. Ihre Daten durchlaufen im BIP-System mehrere Verarbeitungsschritte die teilweise mit einer APERAK als erfolgreich oder fehlgeschlagen quittiert werden. Im Anschluss an eine Erfolgsmeldung können Sie daher im nächsten Verarbeitungsschritt eine Fehlermeldung erhalten. Das Sequenzdiagramm in Abbildung 1 gibt Ihnen einen Überblick über die vom BIP-System versendeten Nachrichten.

1. Im ersten Verarbeitungsschritt werden Ihre Daten einer strukturellen Prüfung unterzogen (OSIS process data()). Wird Ihre Nachricht dabei als EDIFACT akzeptiert, [NO ERROR], sendet das BIP-System hierfür optional eine Bestätigung: APERAK(312, CA) mit **CA=Conditionally accepted** Initial wird diese Nachricht nicht gesendet. Bitte wenden Sie sich an uns, wenn Sie den Sendestatus ändern lassen möchten.
Werden bei der Strukturprüfung Fehler gefunden, erhalten Sie derzeit eine detaillierte Fehlermeldung per Mail.

2. Ist Ihre Nachricht als EDIFACT erkannt worden, erfolgt die Übernahme der Daten in das BIP-System. Während dieser Verarbeitung erhalten Sie eine Erfolgs- oder Fehlermeldung für jede einzelne Sendung: [NO ERROR]:APERAK(707,AP) mit **AP=Accepted** oder [ERROR]:APERAK(707,RE) mit **RE=Rejected**

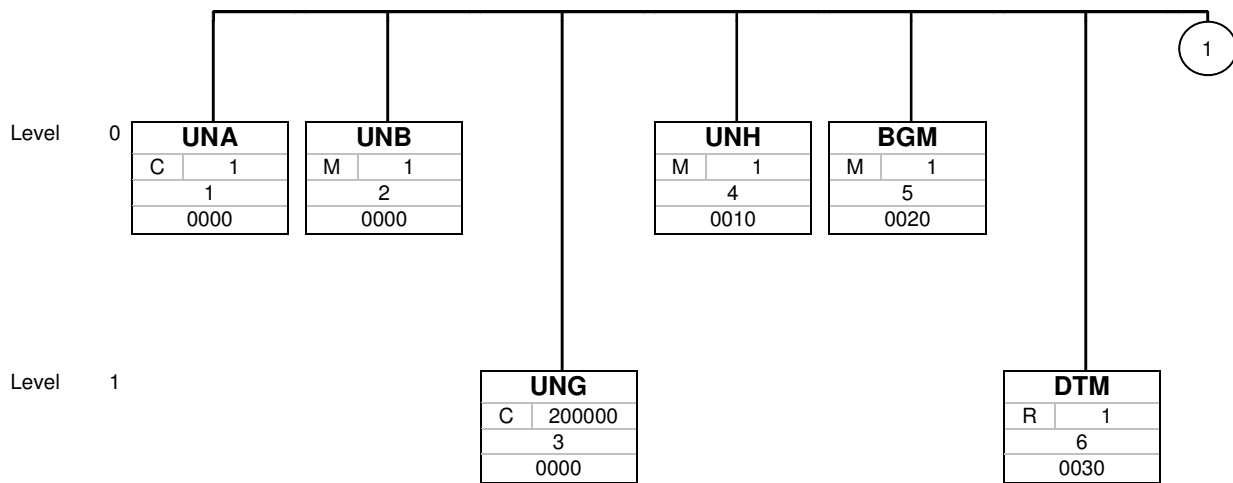
3. Bei der weiteren Bearbeitung der bis jetzt fehlerlosen Sendungen, zum Beispiel der Anmeldung zur vorzeitigen SumA im ATLAS-System, können Ihre Daten abgelehnt werden. Auch in diesem Fall erhalten Sie aus dem BIP-System eine APERAK.

Struktur einer APERAK

Counter	No	Tag	St	MaxOcc	Level	Content
0000	1	UNA	C	1	0	Service string advice
0000	2	UNB	M	1	0	Interchange header
0000	3	UNG	C	200000	1	Functional group header
0010	4	UNH	M	1	0	Message header
0020	5	BGM	M	1	0	Beginning of message
0030	6	DTM	R	1	1	Declaration of the processing date from the received Message
0090		SG2	C	9	1	Reference data of original message
0100	7	RFF	M	1	1	Reference data referencing original BGM Document identifier
0090		SG2	C	9	1	Reference data of original message
0100	8	RFF	M	1	1	SIS Ship reference number
0090		SG2	C	9	1	Reference data of original message
0100	9	RFF	M	1	1	Reference
0120		SG3	M	9	1	Sender contactdata, the dbh Logistics IT AG
0130	10	NAD	M	1	1	Address data dbh
0140	11	CTA	R	9	2	Contact person dbh support
0150	12	COM	C	9	2	Communication contact
0160		SG4	D	99999	1	Error group
0170	13	ERC	M	1	1	Application error information
0180	14	FTX	C	1	2	Additional information (free Text) for the error
0220	15	UNT	M	1	0	Message trailer
0000	16	UNE	C	1	0	Functional group trailer
0000	17	UNZ	M	1	0	Interchange trailer

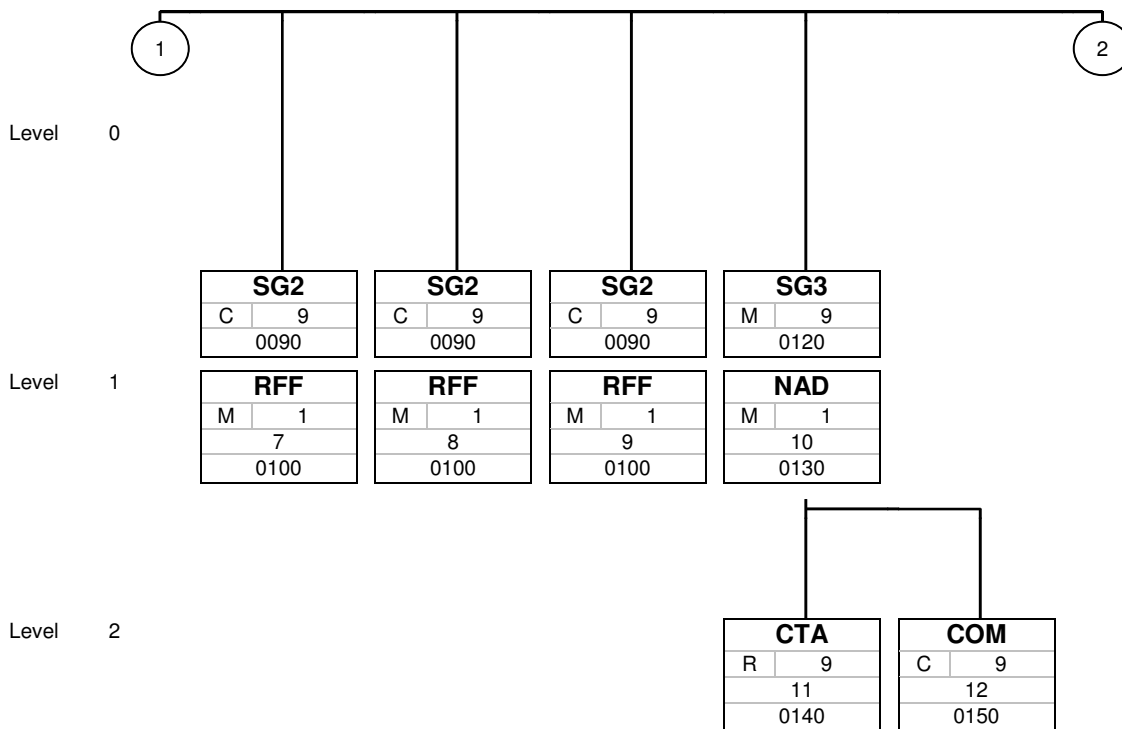
Counter = Counter of segment/group within the standard
 No = Consecutive segment number
 MaxOcc = Maximum occurrence of the segment/group

St = Status
 EDIFACT: M=Mandatory, C=Conditional
 User specific: R=Required, O=Optional, D=Dependent,
 A=Advised, N=Not used



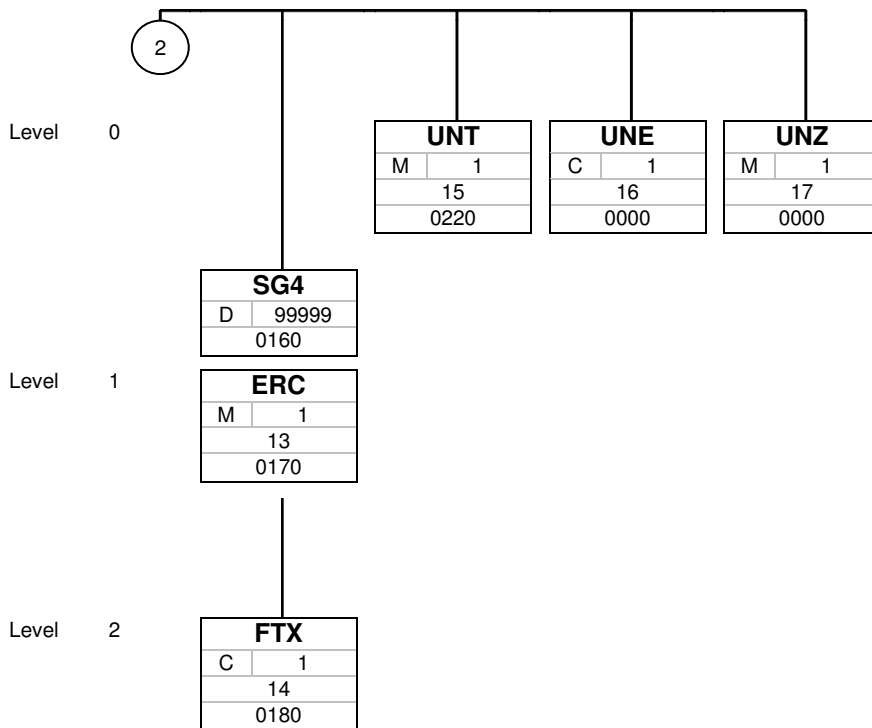
Tag
St MaxOcc
No
Counter

Tag = Segment/Group Tag
 St = Status (M=Mandatory, C=Conditional, R=Required, O=Optional, A=Advised, D=Dependent)
 MaxOcc = Maximum occurrence of the segment/group
 No = Consecutive segment number
 Counter = Counter of segment/group within the standard



Tag
St MaxOcc
No
Counter

Tag = Segment/Group Tag
 St = Status (M=Mandatory, C=Conditional, R=Required, O=Optional, A=Advised, D=Dependent)
 MaxOcc = Maximum occurrence of the segment/group
 No = Consecutive segment number
 Counter = Counter of segment/group within the standard



Tag
St MaxOcc
No
Counter

Tag = Segment/Group Tag
 St = Status (M=Mandatory, C=Conditional, R=Required, O=Optional, A=Advised, D=Dependent)
 MaxOcc = Maximum occurrence of the segment/group
 No = Consecutive segment number
 Counter = Counter of segment/group within the standard

Segmente einer APERAK

Counter	No	Tag	St	MaxOcc	Level	Name
0000	1	UNA	C	1	0	Service string advice

Standard			Implementation	
Tag	Name	St Format	St Format	Usage / Remark
UNA				
UNA1	Component data element separator	M an1	M an1	
UNA2	Data element separator	M an1	M an1	
UNA3	Decimal notation	M an1	M an1	
UNA4	Release indicator	M an1	M an1	
UNA5	Reserved for future use	M an1	M an1	
UNA6	Segment terminator	M an1	M an1	

Remark:
Example:

UNA: + . ? '

No = Consecutive segment number
 MaxOcc = Maximum occurrence of the segment/group
 Counter = Counter of segment/group within the standard

St = Status
 EDIFACT: M=Mandatory, C=Conditional
 User specific: R=Required, O=Optional, D=Dependent,
 A=Advised, N=Not used

Counter	No	Tag	St	MaxOcc	Level	Name
---------	----	-----	----	--------	-------	------

0000 2 **UNB** M 1 0 Interchange header

		Standard	Implementation	
Tag	Name	St Format	St Format	Usage / Remark
UNB				
S001	Syntax identifier	M	M	
0001	Syntax identifier	M a4	M a4	
0002	Syntax version number	M n1	M n1	
S002	Interchange sender	M	M	
0004	Sender identification	M an..35	M an..35	
0007	Partner identification code qualifier	C an..4	C an..4	
0008	Address for reverse routing	C an..14	C an..14	
S003	Interchange recipient	M	M	
0010	Recipient identification	M an..35	M an..35	
0007	Partner identification code qualifier	C an..4	C an..4	
0014	Routing address	C an..14	C an..14	
S004	Date/time of preparation	M	M	
0017	Date of preparation	M n6	M n6	
0019	Time of preparation	M n4	M n4	
0020	Interchange control reference	M an..14	M an..14	
S005	Recipient's reference, password	C	C	
0022	Recipient's reference/password	M an..14	M an..14	
0025	Recipient's reference/password qualifier	C an2	C an2	
0026	Application reference	C an..14	C an..14	
0029	Processing priority code	C a1	C a1	
0031	Acknowledgement request	C n1	C n1	
0032	Communications agreement ID	C an..35	C an..35	
0035	Test indicator	C n1	C n1	

Remark:

Example:

UNB+UNOB:2+X:1:X+X:1:X+100922:1559+X+X:AA+X+A+1+X+1'

No = Consecutive segment number
 MaxOcc = Maximum occurrence of the segment/group
 Counter = Counter of segment/group within the standard

St = Status
 EDIFACT: M=Mandatory, C=Conditional
 User specific: R=Required, O=Optional, D=Dependent,
 A=Advised, N=Not used

Counter	No	Tag	St	MaxOcc	Level	Name
---------	----	-----	----	--------	-------	------

0000	3	UNG	C	200000	0	Functional group header
------	---	------------	---	--------	---	-------------------------

Standard			Implementation	
Tag	Name	St Format	St Format	Usage / Remark
UNG				
0038	Functional group identification	M an..6	M an..6	
S006	Application sender's identification	M	M	
0040	Sender identification	M an..35	M an..35	
0007	Partner identification code qualifier	C an..4	C an..4	
S007	Application recipient's identification	M	M	
0044	Recipient's identification	M an..35	M an..35	
0007	Partner identification code qualifier	C an..4	C an..4	
S004	Date/time of preparation	M	M	
0017	Date of preparation	M n6	M n6	
0019	Time of preparation	M n4	M n4	
0048	Functional group reference number	M an..14	M an..14	
0051	Controlling agency	M an..2	M an..2	UN UN/CEFACT
S008	Message version	M	M	
0052	Message version number	M an..3	M an..3	D Draft version/UN/EDIFACT Directory
0054	Message release number	M an..3	M an..3	01B Release 2001 - B
0057	Association assigned code	C an..6	C an..6	
0058	Application password	C an..14	C an..14	

Remark:

Example:

UNG+X+X:1+X:1+100922:1559+X+UN+D:01B:X+X'

No = Consecutive segment number
 MaxOcc = Maximum occurrence of the segment/group
 Counter = Counter of segment/group within the standard

St = Status
 EDIFACT: M=Mandatory, C=Conditional
 User specific: R=Required, O=Optional, D=Dependent,
 A=Advised, N=Not used

Counter	No	Tag	St	MaxOcc	Level	Name
---------	----	-----	----	--------	-------	------

0010	4	UNH	M	1	0	Message header
------	---	------------	---	---	---	----------------

Standard			Implementation	
Tag	Name	St Format	St Format	Usage / Remark
UNH				
0062	Message reference number	M an..14	M an..14	
S009	Message identifier	M	M	
0065	Message type	M an..6	M an..6	APERAK Application error and acknowledgement message
0052	Message version number	M an..3	M an..3	D Draft version/UN/EDIFACT Directory
0054	Message release number	M an..3	M an..3	01B Release 2001 - B
0051	Controlling agency	M an..2	M an..2	UN UN/CEFACT
0057	Association assigned code	C an..6	N	Not used
0068	Common access reference	C an..35	N	Not used
S010	Status of the transfer	C	N	
0070	Sequence of transfers	M n..2	N	Not used
0073	First and last transfer	C a1	N	Not used

Remark:

Messageheader segment

Example:

UNH+X+APERAK:D:01B:UN'

No = Consecutive segment number
 MaxOcc = Maximum occurrence of the segment/group
 Counter = Counter of segment/group within the standard

St = Status
 EDIFACT: M=Mandatory, C=Conditional
 User specific: R=Required, O=Optional, D=Dependent,
 A=Advised, N=Not used

Counter	No	Tag	St	MaxOcc	Level	Name
0020	5	BGM	M	1	0	Beginning of message

Standard			Implementation	
Tag	Name	St Format	St Format	Usage / Remark
BGM				
C002	Document/message name	C	C	
1001	Document name code	C an..3	C an..3	312 Acknowledgement message 313 Application error message 401 Transshipment order 630 Shipping note 45 Transport status request 355 Customs summary declaration without commercial detail, alternate 707 Bill of lading copy 895 Statistical document, export TS2 SIS Ship information system 929 Goods declaration for importation
1131	Code list identification code	C an..17	N	Not used
3055	Code list responsible agency code	C an..3	N	Not used
1000	Document name	C an..35	N	Not used
C106	Document/message identification	C	C	
1004	Document identifier	C an..35	C an..35	Unique Documentnumber dbh
1056	Version identifier	C an..9	N	Not used
1060	Revision identifier	C an..6	N	Not used
1225	Message function code	C an..3	C an..3	9 Original
4343	Response type code	C an..3	C an..3	AP Accepted CA Conditionally accepted RE Rejected

Remark:
Type of response message (OK/Failure) and the unique document number

Example:
BGM+312+04711+9+CA'

No = Consecutive segment number
 MaxOcc = Maximum occurrence of the segment/group
 Counter = Counter of segment/group within the standard

St = Status
 EDIFACT: M=Mandatory, C=Conditional
 User specific: R=Required, O=Optional, D=Dependent,
 A=Advised, N=Not used

Counter	No	Tag	St	MaxOcc	Level	Name
0030	6	DTM	R	1	1	Declaration of the processing date from the received Message

Standard			Implementation	
Tag	Name	St Format	St Format	Usage / Remark
DTM				
C507	Date/time/period	M	M	
2005	Date or time or period function code qualifier	M an..3	M an..3	9 Processing date/time
2380	Date or time or period value	C an..35	C an..35	Date specification
2379	Date or time or period format code	C an..3	C an..3	203 CCYYMMDDHHMM

Remark:

Example:

DTM+9:201011012359:203'

No = Consecutive segment number
 MaxOcc = Maximum occurrence of the segment/group
 Counter = Counter of segment/group within the standard

St = Status
 EDIFACT: M=Mandatory, C=Conditional
 User specific: R=Required, O=Optional, D=Dependent,
 A=Advised, N=Not used

Counter	No	Tag	St	MaxOcc	Level	Name
0090		SG2	C	9	1	Reference data of original message
0100	7	RFF	M	1	1	Reference data referencing original BGM Document identifier

Standard			Implementation	
Tag	Name	St Format	St Format	Usage / Remark
RFF				
C506	Reference	M	M	
1153	Reference code qualifier	M an..3	M an..3	ANK Reference number assigned by third party
1154	Reference identifier	C an..70	C an..70	BGM original Document identifier
1156	Document line identifier	C an..6	N	Not used
4000	Reference version identifier	C an..35	N	Not used
1060	Revision identifier	C an..6	N	Not used

Remark:

Example:

RFF+ANK:1234567890'

No = Consecutive segment number
 MaxOcc = Maximum occurrence of the segment/group
 Counter = Counter of segment/group within the standard

St = Status
 EDIFACT: M=Mandatory, C=Conditional
 User specific: R=Required, O=Optional, D=Dependent,
 A=Advised, N=Not used

Counter	No	Tag	St	MaxOcc	Level	Name
0090		SG2	C	9	1	Reference data of original message
0100	8	RFF	M	1	1	SIS Ship reference number

Standard			Implementation	
Tag	Name	St Format	St Format	Usage / Remark
RFF				
C506	Reference	M	M	
1153	Reference code qualifier	M an..3	M an..3	SRN Shipment reference number
1154	Reference identifier	C an..70	C an..70	SIS Ship reference Number
1156	Document line identifier	C an..6	N	Not used
4000	Reference version identifier	C an..35	N	Not used
1060	Revision identifier	C an..6	N	Not used

Remark:

Example:

RFF+SRN:1234567890'

No = Consecutive segment number
 MaxOcc = Maximum occurrence of the segment/group
 Counter = Counter of segment/group within the standard

St = Status
 EDIFACT: M=Mandatory, C=Conditional
 User specific: R=Required, O=Optional, D=Dependent,
 A=Advised, N=Not used

Counter	No	Tag	St	MaxOcc	Level	Name
0090		SG2	C	9	1	Reference data of original message
0100	9	RFF	M	1	1	Reference

Standard			Implementation	
Tag	Name	St Format	St Format	Usage / Remark
RFF				
C506	Reference	M	M	
1153	Reference code qualifier	M an..3	M an..3	AGO Sender's reference to the original message
1154	Reference identifier	C an..70	C an..70	BL- Number / Equipment Number
1156	Document line identifier	C an..6	N	Not used
4000	Reference version identifier	C an..35	N	Not used
1060	Revision identifier	C an..6	N	Not used

Remark:

Example:

RFF+AGO:1234567890 '

No = Consecutive segment number
 MaxOcc = Maximum occurrence of the segment/group
 Counter = Counter of segment/group within the standard

St = Status
 EDIFACT: M=Mandatory, C=Conditional
 User specific: R=Required, O=Optional, D=Dependent,
 A=Advised, N=Not used

Counter	No	Tag	St	MaxOcc	Level	Name
0120		SG3	M	9	1	Sender contactdata, the dbh Logistics IT AG
0130	10	NAD	M	1	1	Address data dbh

Standard			Implementation	
Tag	Name	St Format	St Format	Usage / Remark
NAD				
3035	Party function code qualifier	M an..3	M an..3	MS Document/message issuer/sender
C082	Party identification details	C	C	
3039	Party identifier	M an..35	M an..35	DBH
1131	Code list identification code	C an..17	N	Not used
3055	Code list responsible agency code	C an..3	N	Not used
C058	Name and address	C	N	
3124	Name and address description	M an..35	N	Not used
3124	Name and address description	C an..35	N	Not used
3124	Name and address description	C an..35	N	Not used
3124	Name and address description	C an..35	N	Not used
3124	Name and address description	C an..35	N	Not used
C080	Party name	C	R	
3036	Party name	M an..35	M an..35	DBH LOGISTICS IT AG
3036	Party name	C an..35	N	Not used
3036	Party name	C an..35	N	Not used
3036	Party name	C an..35	N	Not used
3036	Party name	C an..35	N	Not used
3045	Party name format code	C an..3	N	Not used
C059	Street	C	R	
3042	Street and number or post office box identifier	M an..35	M an..35	MARTINI STR. 47-49
3042	Street and number or post office box identifier	C an..35	N	Not used
3042	Street and number or post office box identifier	C an..35	N	Not used
3042	Street and number or post office box identifier	C an..35	N	Not used
3164	City name	C an..35	R an..35	BREMEN
C819	Country sub-entity details	C	N	
3229	Country sub-entity name code	C an..9	N	Not used
1131	Code list identification code	C an..17	N	Not used
3055	Code list responsible agency code	C an..3	N	Not used
3228	Country sub-entity name	C an..70	N	Not used
3251	Postal identification code	C an..17	R an..17	28195
3207	Country name code	C an..3	R an..3	DE GERMANY

Remark:
Sender of the APERAK- message (always dbh)

Example:
NAD+MS+DBH++DBH LOGISTICS IT AG+MARTINISTR. 47-49+BREMEN++28195+DE'

Counter	No	Tag	St	MaxOcc	Level	Name
0120		SG3	M	9	1	Sender contactdata, the dbh Logistics IT AG
0140	11	CTA	R	9	2	Contact person dbh support

Standard			Implementation	
Tag	Name	St Format	St Format	Usage / Remark
CTA				
3139	Contact function code	C an..3	C an..3	IC Information contact AL Personnel contact
C056	Department or employee details	C	C	
3413	Department or employee name code	C an..17	C an..17	
3412	Department or employee name	C an..35	R an..35	DBH DBH-SUPPORT

Remark:

Example:

CTA+AL+:DBH'

No = Consecutive segment number
 MaxOcc = Maximum occurrence of the segment/group
 Counter = Counter of segment/group within the standard

St = Status
 EDIFACT: M=Mandatory, C=Conditional
 User specific: R=Required, O=Optional, D=Dependent,
 A=Advised, N=Not used

Counter	No	Tag	St	MaxOcc	Level	Name
0120		SG3	M	9	1	Sender contactdata, the dbh Logistics IT AG
0150	12	COM	C	9	2	Communication contact

Standard			Implementation	
Tag	Name	St Format	St Format	Usage / Remark
COM				
C076	Communication contact	M	M	
3148	Communication address identifier	M an..512	M an..512	01801/309020
3155	Communication address code qualifier	M an..3	M an..3	TE Telephone

Remark:

Example:

COM+0049 421-3090222:TE'

No = Consecutive segment number
 MaxOcc = Maximum occurrence of the segment/group
 Counter = Counter of segment/group within the standard

St = Status
 EDIFACT: M=Mandatory, C=Conditional
 User specific: R=Required, O=Optional, D=Dependent,
 A=Advised, N=Not used

Counter	No	Tag	St	MaxOcc	Level	Name
0160		SG4	D	99999	1	Error group
0170	13	ERC	M	1	1	Application error information

Standard			Implementation	
Tag	Name	St Format	St Format	Usage / Remark
ERC				
C901	Application error detail	M	M	
9321	Application error code	M an..8	M an..8	Errorcode of the involved System
1131	Code list identification code	C an..17	C an..17	
3055	Code list responsible agency code	C an..3	C an..3	

Remark:

Example:

ERC+MOB:BIP:DBH'

No = Consecutive segment number
 MaxOcc = Maximum occurrence of the segment/group
 Counter = Counter of segment/group within the standard

St = Status
 EDIFACT: M=Mandatory, C=Conditional
 User specific: R=Required, O=Optional, D=Dependent,
 A=Advised, N=Not used

Counter	No	Tag	St	MaxOcc	Level	Name
0160		SG4	D	99999	1	Error group
0180	14	FTX	C	1	2	Additional information (free Text) for the error

Standard			Implementation	
Tag	Name	St Format	St Format	Usage / Remark
FTX				
4451	Text subject code qualifier	M an..3	M an..3	AAO Error description (free text)
4453	Free text function code	C an..3	N	Not used
C107	Text reference	C	N	Not used
4441	Free text value code	M an..17	N	Not used
1131	Code list identification code	C an..17	N	Not used
3055	Code list responsible agency code	C an..3	N	Not used
C108	Text literal	C	C	
4440	Free text value	M an..512	M an..512	Error description
4440	Free text value	C an..512	N	Not used
4440	Free text value	C an..512	N	Not used
4440	Free text value	C an..512	N	Not used
4440	Free text value	C an..512	N	Not used
3453	Language name code	C an..3	N	Not used
4447	Free text format code	C an..3	N	Not used

Remark:

Example:

FTX+AAO+++Unbekannte BIP- Referenz'

No = Consecutive segment number
 MaxOcc = Maximum occurrence of the segment/group
 Counter = Counter of segment/group within the standard

St = Status
 EDIFACT: M=Mandatory, C=Conditional
 User specific: R=Required, O=Optional, D=Dependent,
 A=Advised, N=Not used

Counter	No	Tag	St	MaxOcc	Level	Name
---------	----	-----	----	--------	-------	------

0220	15	UNT	M	1	0	Message trailer
------	----	------------	---	---	---	-----------------

Standard			Implementation	
Tag	Name	St Format	St Format	Usage / Remark
UNT				
0074	Number of segments in the message	M n..6	M n..6	Total count of segments in the message including UNH and UNT
0062	Message reference number	M an..14	M an..14	Unique message reference. according to UNH 0062

Remark:

Example:

UNT+17+REF '4711'

No = Consecutive segment number
 MaxOcc = Maximum occurrence of the segment/group
 Counter = Counter of segment/group within the standard

St = Status
 EDIFACT: M=Mandatory, C=Conditional
 User specific: R=Required, O=Optional, D=Dependent,
 A=Advised, N=Not used

Counter	No	Tag	St	MaxOcc	Level	Name
---------	----	-----	----	--------	-------	------

0000	16	UNE	C	1	0	Functional group trailer
------	----	------------	---	---	---	--------------------------

Standard			Implementation	
Tag	Name	St Format	St Format	Usage / Remark
UNE				
0060	Number of messages	M n..6	M n..6	
0048	Functional group reference number	M an..14	M an..14	

Remark:

Example:

UNE+1+X'

No = Consecutive segment number
 MaxOcc = Maximum occurrence of the segment/group
 Counter = Counter of segment/group within the standard

St = Status
 EDIFACT: M=Mandatory, C=Conditional
 User specific: R=Required, O=Optional, D=Dependent,
 A=Advised, N=Not used

Counter	No	Tag	St	MaxOcc	Level	Name
0000	17	UNZ	M	1	0	Interchange trailer

Standard			Implementation	
Tag	Name	St Format	St Format	Usage / Remark
UNZ				
0036	Interchange control count	M n..6	M n..6	
0020	Interchange control reference	M an..14	M an..14	

Remark:

Example:

UNZ+1+X'

No = Consecutive segment number
 MaxOcc = Maximum occurrence of the segment/group
 Counter = Counter of segment/group within the standard

St = Status
 EDIFACT: M=Mandatory, C=Conditional
 User specific: R=Required, O=Optional, D=Dependent,
 A=Advised, N=Not used

Fehlercodes einer APERAK

Falls Sie eine Fehlnachricht erhalten, steht in Segmentgruppe 4 (SG4) der Fehlercode (ERC) und die Fehlerbeschreibung (FTX+AAO).

Derzeit findet eine Abstimmung der Fehlercodes mit der DAKOSY AG statt. Daher wird es in der nächsten Zeit zu Änderungen der Fehlercode Zuordnungen kommen. Wenn die Änderungen abgeschlossen sind, finden Sie die gültigen Fehlercodes an dieser Stelle.

Bis dahin bitten wir Sie, sich bei der Interpretation der Nachricht an der ausführlichen Fehlerbeschreibung zu orientieren.